

**2.5mm BTB (BB2.5) Series Connector:**

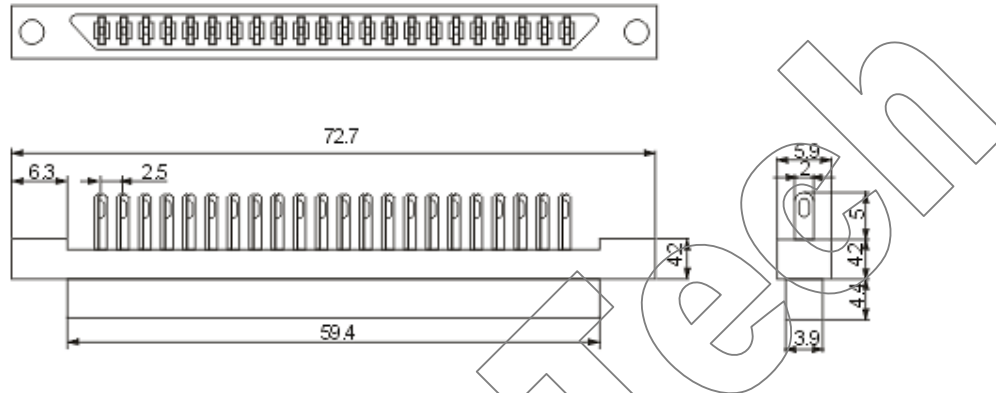


**SPECIFICATIONS**

Pitch:	2.5 mm
Number of contacts:	22 pins
Current Rating:	2A, AC, DC
Voltage Rating:	250V, AC, DC
Operating Temperature:	-25 °C ~+85 °C
Relative Humidity:	93%, +40 °C
Dielectric Withstanding:	1000V AC/minute
Contact Resistance:	≤ 20 mΩ/Contact
Insulator Resistance:	≥ 1000 MΩ at 100V
Material:	
Base:	Nylon66 /Nylon6T, UL94V-0
Contact Pin:	Phosphor Bronze

**ROHS Compliance**

**BB2.5-22AM**



**BB2.5-22AF**

